

Bread Box

OVERVIEW



Introduction

This is a simple breadbox that can be enlarged or reduced in size to accommodate your individual needs. It is made with oak but any wood may be used. The construction is simple, but can be personalized with dovetailed or finger jointed edges.

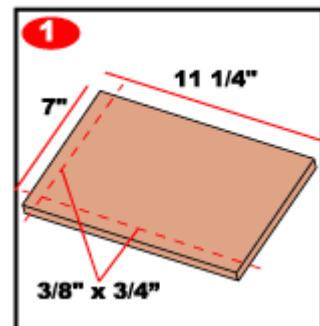
BEFORE YOU START...

SKILL LEVEL & TIME TO COMPLETE

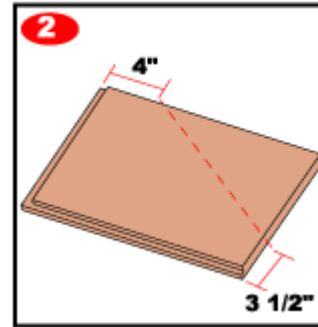
- Beginner - about 18 hours
- Intermediate - about 12 hours
- Advanced - about 6 hours

STEPS

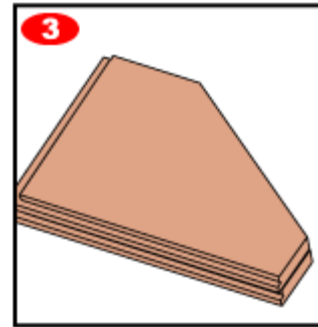
1. To begin, cut the two side pieces to 7" x 11-1/4". Next cut a rabbet along the back and bottom edges. Using a router with a 3/4" straight bit or a table saw with a dado blade, rout or cut a 3/8" x 3/4" rabbet along the back inside edges. When using a router take small multiple passes to complete this cut. This rabbet will ultimately house the back of the breadbox. Now switch to a quarter-inch straight bit and cut a quarter-inch by quarter-inch rabbet along the bottom inside edge. This rabbet will ultimately house the bottom of the breadbox front.



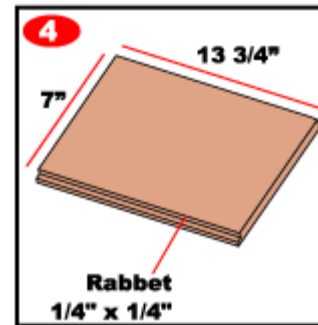
2. Next cut the two side pieces to shape. Measure in 4" from the top left edge and 3-1/2" up from the bottom right edge to draw a diagonal line. Using a jig saw, cut the diagonal top edge of the side pieces.



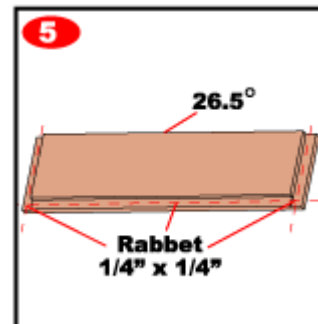
3. Clamp the two side pieces together and sand the cut edges smooth. This will help assure a square edge.



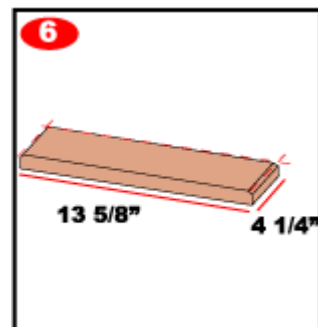
4. Cut the back piece of the breadbox to 7" x 13-3/4". Cut a rabbet along the bottom inside edge with a quarter-inch router bit or a quarter-inch dado blade for a finished quarter-inch by quarter-inch rabbet. This should match the rabbets cut along the edges of the side pieces.



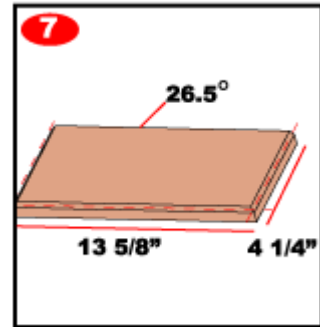
5. Cut the front piece of the breadbox to 3-1/2" x 13-3/8". Cut a 3/8" x 3/4" rabbet along the inside edges and a 1/4" x 1/4" rabbet along the inside bottom edge. Next cut the top of the front piece at an angle of 26.5 degrees to match the lid angle. The fence on the table saw should be set at 3-1/4" to the inside edge of the table saw blade. You can increase this measurement slightly to assure a tight level edge.



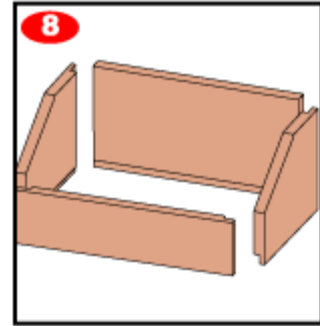
6. Cut the top piece of the breadbox to 4-1/4" x 13-5/8". Using a chamfering router bit, rout both sides and back of the top edge.



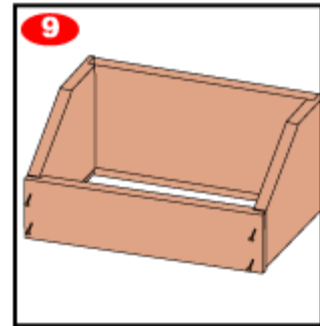
7. Cut the lid of the breadbox to 13-5/8" x 9-1/8". Cut a 26.5 degree angle on one of the long edges of the lid. Using a chamfering router bit, rout the sides and bottom of the lid to match the top piece.



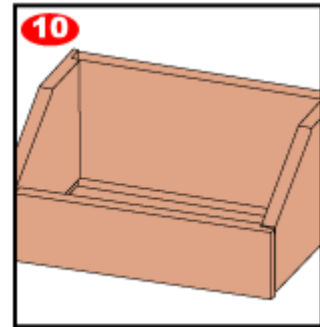
8. Glue and clamp together the sides, front and back of the breadbox.



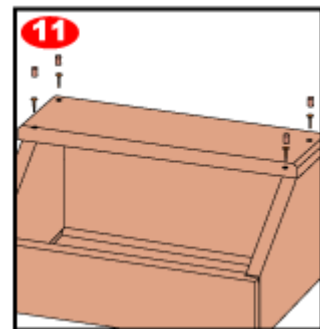
9. Pre-drill holes for finish nails to reinforce the joints. Carefully placed finish nails in the grain lines can provide an almost invisible reinforcement. You may also drill countersunk holes, screw, and plug the joints if desired. Check the corners for square and let the assembly dry. Clean all excess glue inside and outside the box.



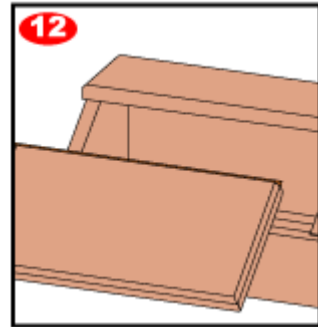
10. Add the bottom piece cut from 1/4" hardboard to fit snugly in the rabbeted recess.



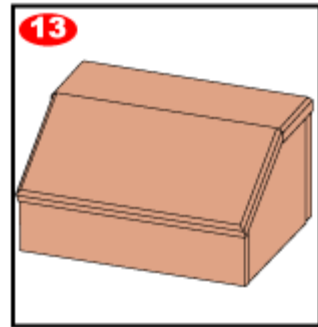
11. Glue and clamp the top piece to the completed box allowing an even overhang on the sides and back. Secure the top piece to the box using 1-1/4" x #8 screws. Use dowels to plug the holes, and cut and sand them flush.



12. With a jig saw and metal cutting blade, cut a continuous hinge to 13-1/8" long. Secure the lid with a wood vice. Attach one side of the hinge to the lid – centered along its length. The centerline of the hinge should be even with the top of the angled edge of the lid. Pre-drill holes and lubricate the screws with a little wax when attaching the hinge. Finally attach the lid to the top of the breadbox.



13. There you have it...your breadbox is complete. Sand all of the outer surfaces and add a coat of stain, paint or varnish as desired.



SHOP LIST

Materials List

- (2) Sides - 7" x 11 1/4" x 1/2"
- (1) Front - 3 1/2" x 13 3/8"
- (1) Back - 7" x 13 3/4"
- (1) Top - 4 1/4" x 13 5/8"
- (1) Lid - 13 5/8" x 9 1/8"
- (1) Bottom
- (1) Continuous hinge - 13 1/8"
- Brass screws
- Glue

Tools List

- Plunge router
- 1/2" rabbet bit
- 1/4" straight bit
- Cordless drill and bits
- Jig saw and blades
- Palm sander
- Table saw
- Clamps